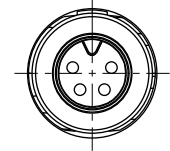
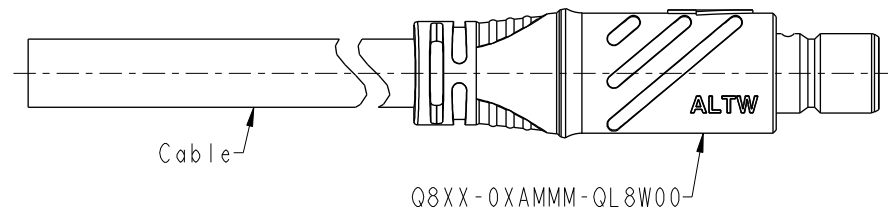
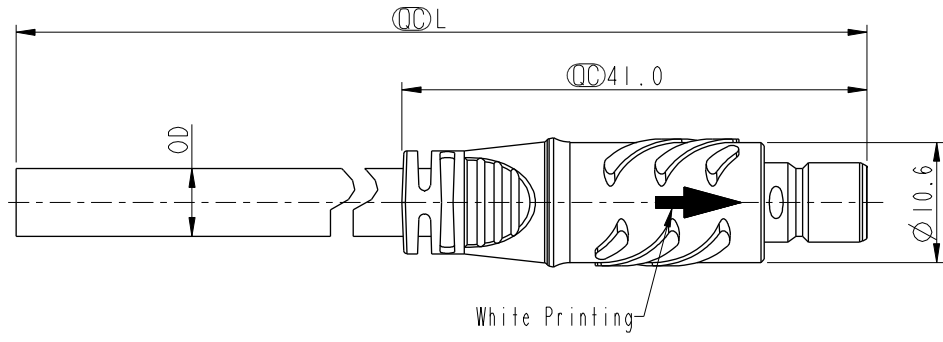
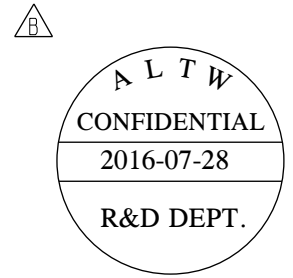


THIS DOCUMENT IS SUBJECT TO CHANGE WITHOUT NOTICE. IT IS CONFIDENTIAL AND A PROPERTY OF AMPHENOL LTW. DISCLOSURE TO THIRD PARTY HAS TO BE AUTHORIZED BY AMPHENOL LTW.

REV.	ECN NO.	DATE	SIGN	DESCRIPTION
A	Initial Release	2016/06/30	Aric Ko	Rev. A
B	LEN1680169	2016/07/28	Aric Ko	Modify Drawing.



**Material Specification:**

- \* Connector: Thermoplastic
- \* Contacts: Copper Alloy, Gold Plated.
- \* UL Rated: UL 94V-0, fl
- \* Cable: UL Style, 24AWG(2A), 20AWG(5A), Sun Res., PVC Jacket, Black.
- \* RoHS Compliant

**Electrical Specification:**

- \* Contact Resistance: 10mΩ Max. (Without Cable)
- \* Insulation Resistance: 100MΩ Min.
- \* Dielectric Withstand Voltage: 1,000V Plus 2 Times the Rated Voltage.

**Mechanical Specification:**

- \* Durability: 2,000 Cycles
- \* Tensile Strength: 10 kgf

**Environmental Specification:**

- \* Waterproof Rating: IP68(Mated, 1M/24 Hours)
- \* Temperature Range: -40°C to 105°C
- \* Salt Spray: Mated, 500 Hours.
- \* Safety Compliance: UL 2238(Outdoor Use, UL 50e)

**Cable Length Tolerance:**

- 01M: ±40mm
- 02M~06M: ±60mm
- 06M~10M: ±100mm
- 11M~30M: ±200mm
- 31M~99M: ±500mm



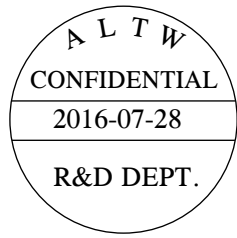
UNIT:mm		
TOLERANCE		
±0.5 mm		

TITLE SIZE 8, OVERMOLDED WITH CABLE HS-LOK, M CONN M PIN			
SCALE 3:2	SIZE A4	SHEET 1 OF 2	
REV. B	WC-REV. A.6	QC: Inspection item	

**Amphenol LTW**  
安費諾亮泰企業股份有限公司

ITEM NO	DRAWN BY Aric Ko	DATE 2016-07-29
DWG NO Q8XX-0XAMMM-QL8AXX	CHECKED BY Victor Hung	DATE 2016-07-29
CUSTOMER ALTW	APPROVED BY Kevin Hu	DATE 2016-07-29

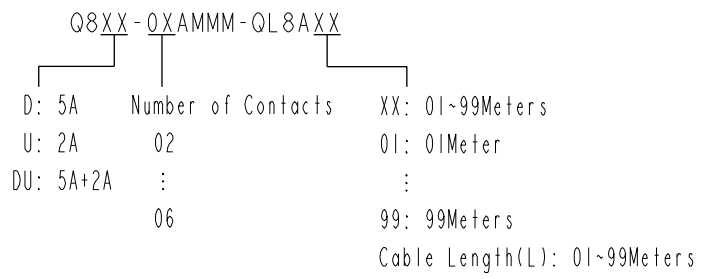
THIS DOCUMENT IS SUBJECT TO CHANGE WITHOUT NOTICE. IT IS CONFIDENTIAL AND A PROPERTY OF Amphenol LTW. DISCLOSURE TO THIRD PARTY HAS TO BE AUTHORIZED BY Amphenol LTW.



	5A, 300Vac/Vdc 2 Contacts(02) Cable OD 5.2mm; Wire Color Identification: 1.White, 2.Black
	5A, 300Vac/Vdc 3 Contacts(03) Cable OD 5.5mm; Wire Color Identification: 1.White, 2.Black, 3.Green
	5A, 300Vac/Vdc 4 Contacts(04) Cable OD 6.0mm; Wire Color Identification: 1.White, 2.Black, 3.Red, 4.Blue
	2A, 100Vdc 5 Contacts(05) Cable OD 5.5mm; Wire Color Identification: 1.White, 2.Black, 3.Red, 4.Blue, 5.Green
	2A, 100Vdc 6 Contacts(06) Cable OD 5.8mm; Wire Color Identification: 1.White, 2.Black, 3.Red, 4.Blue, 5.Green, 6.Brown
	5A, 300Vac + 2A, 100Vdc 2+3 Contacts(05) Cable OD 6.0mm; Wire Color Identification: 1.White, 2.Black, 3.Red, 4.Blue, 5.Green

Pin Assignments, Front View

Ordering Information:



Mating Connector:

Overmolded with Cable: Q8XX-0XAFFM-QL8AXX

UNIT:mm TOLERANCE ±0.5 mm	TITLE SIZE 8, OVERMOLDED WITH CABLE HS-LOK, M CONN M PIN	
	SCALE 3:2	SIZE A4
	REV. B	SHEET 2 OF 2
WC-REV. A.6		QC: Inspection item

**Amphenol LTW**  
安費諾亮泰企業股份有限公司

ITEM NO	DRAWN BY Aric Ko	DATE 2016-07-29
DWG NO Q8XX-0XAMMM-QL8AXX	CHECKED BY Victor Hung	DATE 2016-07-29
CUSTOMER ALTW	APPROVED BY Kevin Hu	DATE 2016-07-29