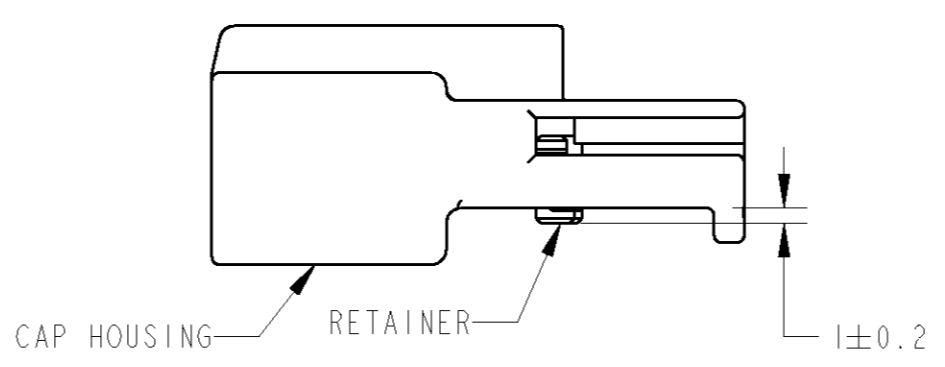
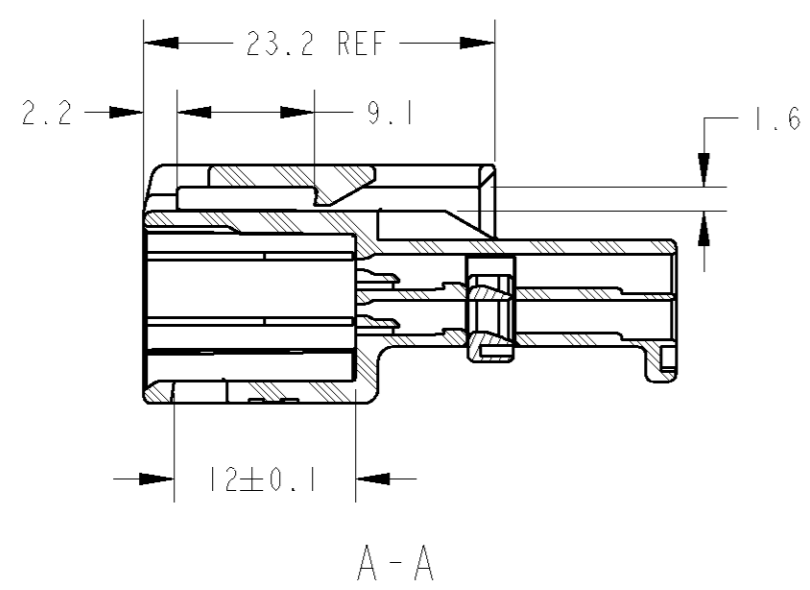
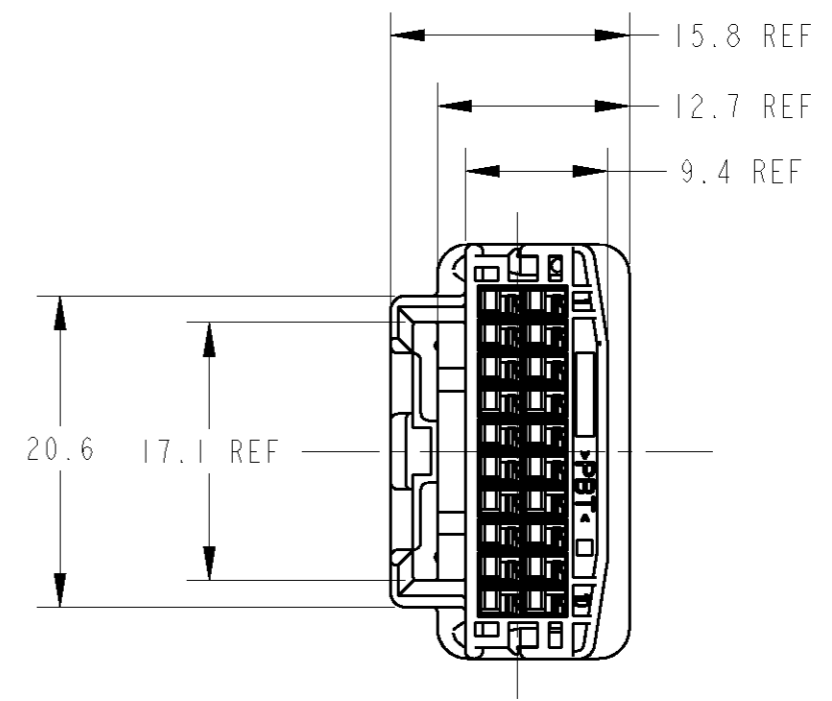
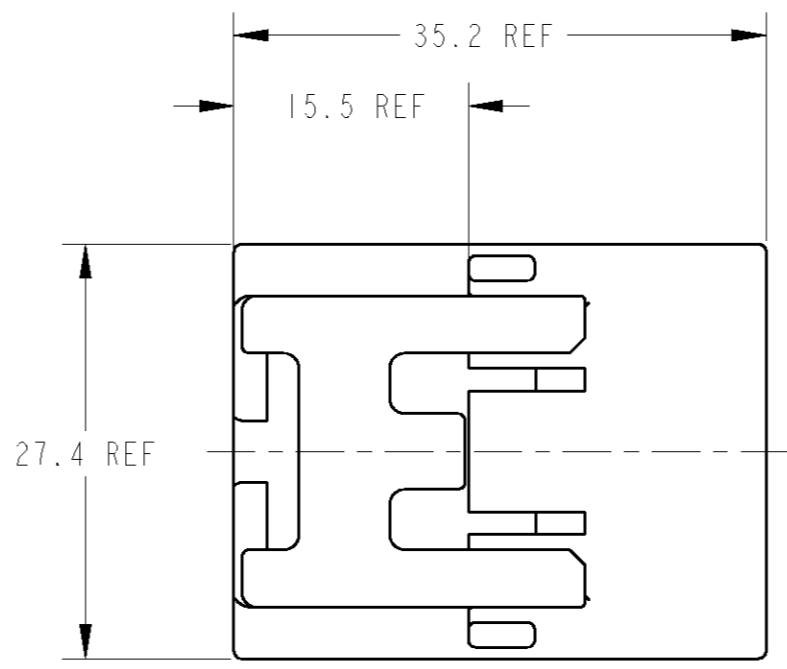
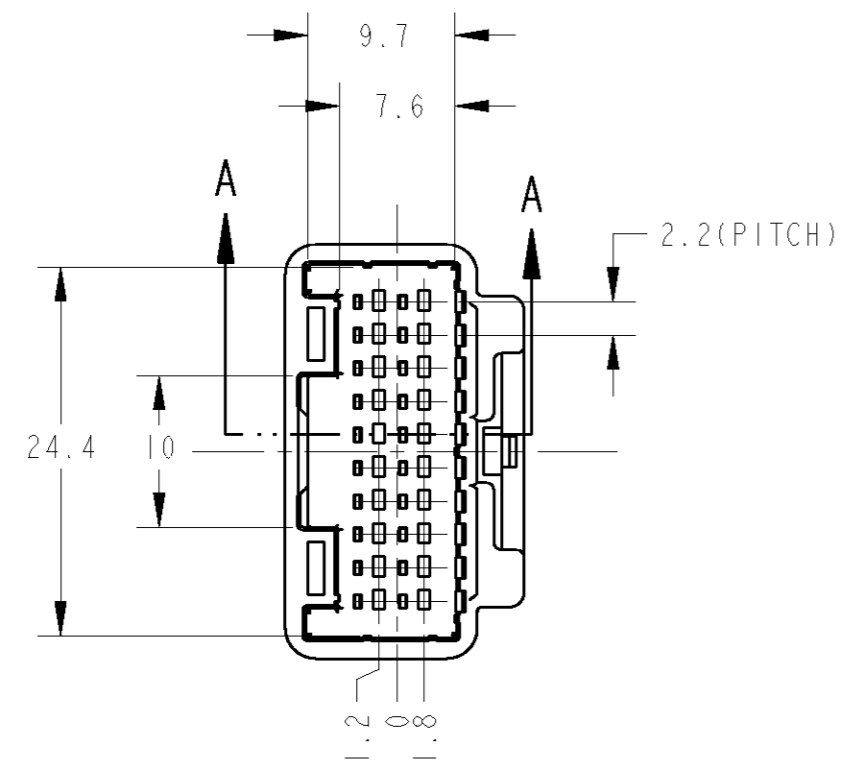


THIS DRAWING IS UNPUBLISHED. RELEASED FOR PUBLICATION 20
 © COPYRIGHT 20 BY TYCO ELECTRONICS CORPORATION. ALL RIGHTS RESERVED.

LOC	DIST	REVISIONS					
		P	LTR	DESCRIPTION	DATE	DWN	APVD
J			O	RELEASED	FJ00-0868-01	09JUL01	R.K N.S
			A	REVISED	FJ00-2262-01	27SEP01	R.K N.S
			B	REVISED	FJ00-2441-01	16OCT01	R.K N.S
			BI	ADDED -2	ECR-05-014952	07NOV05	TS KB



1. プラグハウジングにリテーナーを板係止して出荷される。
2. 板係止時リテーナーがハウジングの外側に出ていること。
3. リテーナーの板係止保持力は、30N以上
4. 取扱説明書No : 411-5996
5. 嵌合相手型番は TABLE-1参照
6. 本製品の適用端子は TABLE-2参照

1. RETAINER SHOULD BE SET TO THE PRE-ASSEMBLY POSITION WITHIN THE PLUG HOUSING WHEN SHIPPED TO THE CUSTOMER.
2. THE RETAINER MUST BE OUT SIDE OF PLUG HOUSING WHEN PRE-ASSEMBLY.
3. RETAINER RETENTION FORCE FROM HOUSING : 30N MIN
4. INSTRUCTION SHEET NO : 411-5996
5. PART NUMBER OF PLUG HOUSING TO BE MATED : SEE TABLE-1
6. APPLIED TERMINAL OF THIS PART : SEE TABLE-2

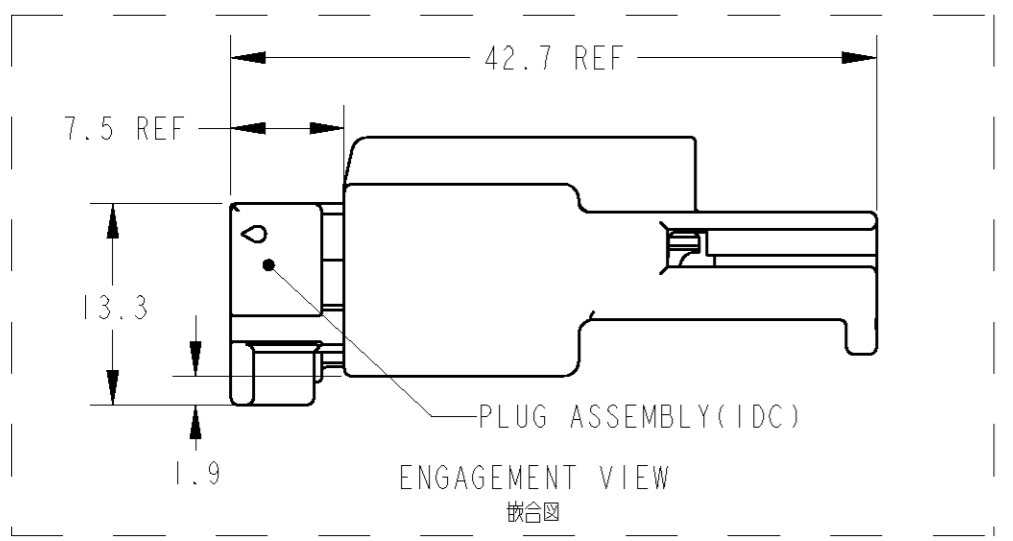
TABLE-1

POS 極数	DESCRIPTION	PLUG ASSEMBLY PART NO. プラグ 型番
20	IDC	1473807 1473808

TABLE-2

SIGNAL	TIN	POS 極数	APPLIED TERMINAL 適用端子		APPLICABLE WIRE RANGE 適用電線
			DESCRIPTION	AMP P/N	
025		20	CRIMP	1376109-1	CAVS/CAVUS 0.22~0.5mm ² AVSS/AVSSH-f 0.3~0.5mm ²
			IDC	1473818-1	WIRE RANGE : 0.08mm ² INSULATION DIA : 1.1~1.4mm
				1565406-1	WIRE RANGE : 0.22mm ² INSULATION DIA : 0.8~1.2mm

PAPER BOX ダンボール箱	PLASTIC BAG ビニール袋	COLOR 色	PART NUMBER 製品型番
		BLACK	1473750-2
		NATURAL	1473750-1
OUTER 外装	INNER 内装	PACKING STYLE 梱包形態	



THIS DRAWING IS A CONTROLLED DOCUMENT FOR TYCO ELECTRONICS CORPORATION IT IS SUBJECT TO CHANGE AND THE CONTROLLING ENGINEERING ORGANIZATION SHOULD BE CONTACTED FOR THE LATEST REVISION.		DWN R. KOMIYAMA 09JUL01	Tyco Electronics AMP K.K. Kawasaki, Japan	
DIMENSIONS: mm		CHK N. SAI 09JUL01	NAME 025 CONNECTOR 20POSITION CAP ASSEMBLY W-W (CRIMP AND IDC)	
TOLERANCES UNLESS OTHERWISE SPECIFIED: 一般公差: ±0.3		APVD N. SAI 09JUL01	RESTRICTED TO	
0-PLC ±0.5 1-PLC ±0.5 2-PLC ±0.13 3-PLC ±0.013 4-PLC ±0.0001 ANGLES ±3°00'		PRODUCT SPEC 108-5660	SIZE A2	
MATERIAL PBT		FINISH SEE TABLE	APPLICATION SPEC 114-5276, 114-5291	DRAWING NO 1473750
		WEIGHT 6.17g	CAGE CODE 00779	SCALE 2:1
		CUSTOMER DRAWING		SHEET 1 OF 1